



Manufacturer of shut-off and control valves

TECHNICAL DATA SHEET

**Solenoid valve ELEPHANT VS1031-PT-NC-x
DN8-50 16 bar piston valve, pilot-acting, brass, threaded**



+34 900 433 073, sales@valveelephant.com
Carrer d'Aragó, 264, 3-1, 08007 Barcelona, Spain

GENERAL PRODUCT INFORMATION

Product name: Solenoid valve ELEPHANT VS1031-PT-NC-x DN8-50 16 bar piston, pilot action, brass, threaded.

Purpose: In a normally closed solenoid valve the closed position is maintained if the control voltage is not applied to its induction coil. When voltage is applied to the coil, the normally closed valve opens and allows the medium to flow through. When the control voltage is switched off, the valve closes automatically and blocks the medium flow in the pipeline.

A normally open solenoid valve is a valve that is open to the flow of medium through it when no voltage is applied to its induction coil. When voltage is applied to the coil, this type of solenoid valve closes and remains closed as long as voltage is applied to the coil.

In domestic applications, such solenoid valves are used in automobiles, special machinery, water supply systems and auto irrigation and heating systems. They are also widely used in industry to regulate the current and control the transportation of a variety of liquids and gases.

Attention! Pilot-operated valves may be installed ONLY on horizontal pipeline sections.





Product Type:
VS10 - Series 10 solenoid valve

Body material:
00 - brass

Sealing material:
P - PTFE

Type of connection:
T-threaded

Position of the locking body:
NC - normally closed

Coil power supply:
220VAC : ~220V AC voltage
24VDC : = 24V constant voltage

BASIC TECHNICAL DATA AND CHARACTERISTICS

Nominal diameter DN, mm (inch)	8 – 50 (1/4" – 2")
Working pressure PN, bar	0,4...16
Working medium temperature t, °C	0 to +180
Working medium	Hot water, steam, high-temperature liquid (viscosity ≤20 cSt)
Operating principle	pilot
Device type	Normally closed
Pipeline connection	threaded
Thread type	G
Coil supply	AC220V or DC24V
Housing material	brass
Sealing	PTFE
Protection class	IP65
Coil insulation class	F
Coil design	<ul style="list-style-type: none"> • With lead wires (fully encapsulated) • With DIN connectors (fully encapsulated) (*option)

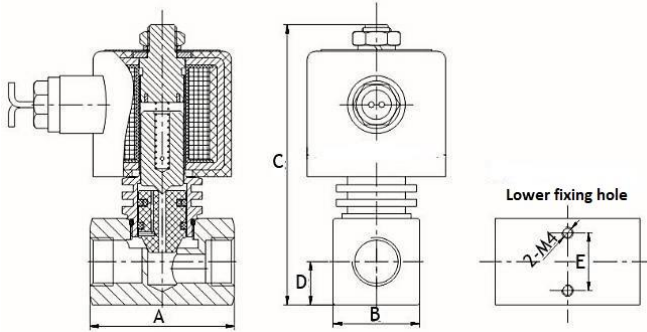


BASIC VALVE PARAMETERS

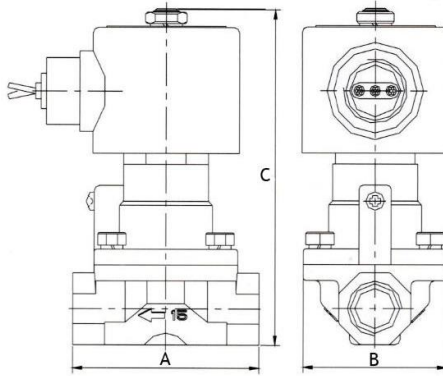
DN	Ø aisle	Throughput	Working pressure (bar)			Coil power	
			Minimum pressure	Maximum pressure		VA	W
	inch	m3/hour			NZ	HO	AC 220V
8	1/4"	1.8	0.4	16	-	25	13
10	3/8"	3.1	0.4	16	-	25	13
15	1/2"	4.8	0.4	16	-	25	13
20	3/4"	7.6	0.4	16	-	25	13
25	1"	12	0.4	16	-	25	13
32	1 1/4"	24	0.4	16	-	25	13
40	1 1/2"	30	0.4	16	-	25	13
50	2"	48	0.4	16	-	25	30



VALVE DIMENSIONS DN8 – DN10



VALVE DIMENSIONS DN15 – DN50



DN	Ø aisle	Ø sections	A	B	C	D	E
	inch						
8	1/4"	8	50	30	98	15	20
10	3/8"	10	50	30	98	15	20
15	1/2"	15	70	53	135	-	-
20	3/4"	20	74	57	142	-	-
25	1"	25	2	69	150	-	-
32	1 1/4"	32	110	85	164	-	-
40	1 1/2"	40	122	90	168	-	-
50	2"	50	160	117	190	-	-



WARRANTY PERIOD

Warranty period - 12 months from the date of commissioning, but not more than 18 months from the date of sale.

The warranty does not apply:

- parts and materials of the product subject to wear and tear
- for cases of damage caused by:
 - violations of the product storage, installation, testing, operation and maintenance specifications;
 - improper transportation and handling operations;
 - the presence of traces of exposure to substances aggressive to the product materials;
 - presence of damage caused by fire, elements, force majeure circumstances;
 - damage caused by incorrect actions of the consumer;
 - traces of tampering with the design of the product.

SALES MARK

No	Product Name	Packs

Дата продажи: _____

М.П.



